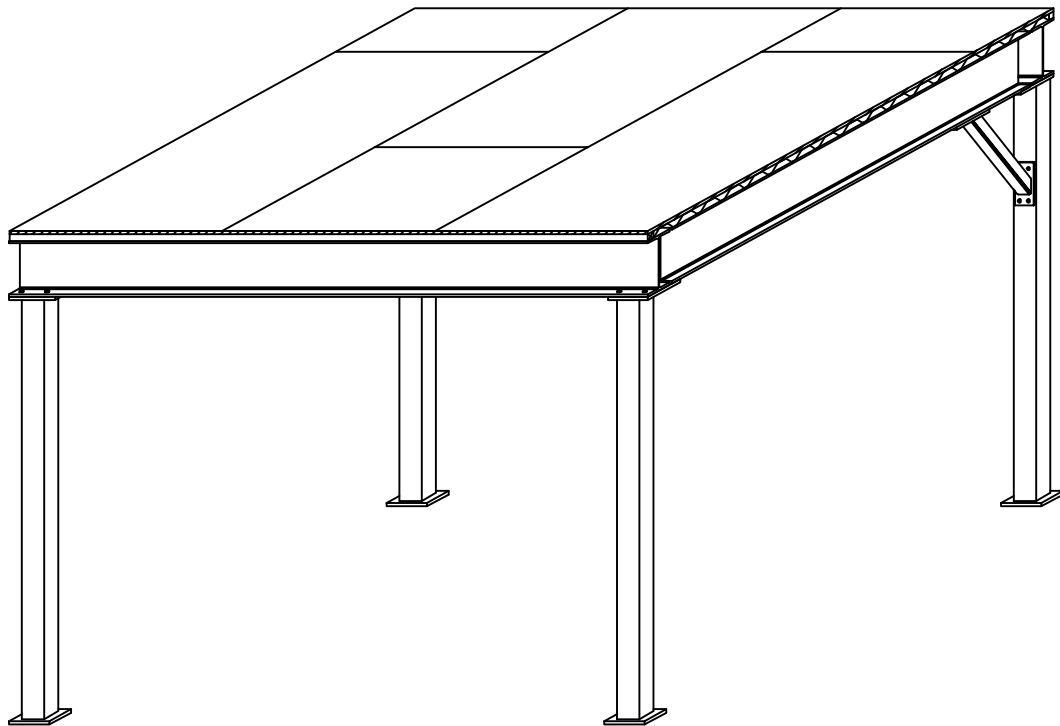




NATIONAL[®] PARTITIONS

10300 Goldenfern Lane
Knoxville, Tennessee
(800) 996-7266

37931



INSTALLATION MANUAL

MEZZANINE

service@n-p.com
800-996-7266

IMPORTANT

Use all necessary precautions to ensure your safety and those around you, and always use fall protection. Wear proper clothing, including protective work shoes, hard hat, safety glasses, gloves as needed, etc.

Prior to starting the installation:

1. Upon receiving the shipment: Compare the packages to the Bill of Landing's count and descriptions. Inspect all packages and material for damage or loss during transit. All irregularities must be marked on the Bill of Lading and the carrier notified immediately.
2. Compare the parts with our Bill of Materials, insure that the accurate number of each item has been shipped. Notify National Partitions Service Department at 800-996-7266 or service@n-p.com, if you experience any problems.
3. Read all instructions thoroughly before assembling.

Special Circumstances:

This manual is not meant to cover every possible installation circumstance. Please refer to National Partitions drawings and details provided for special assembly instructions.

IMPORTANT NOTE: If you cannot find proper instructions or have questions about what has been provided, **DO NOT PROCEED** and contact our Service Department for clarification. National Partitions will not reimburse additional costs for rework, improper assembly or anything beyond the parameters of our written warranty.

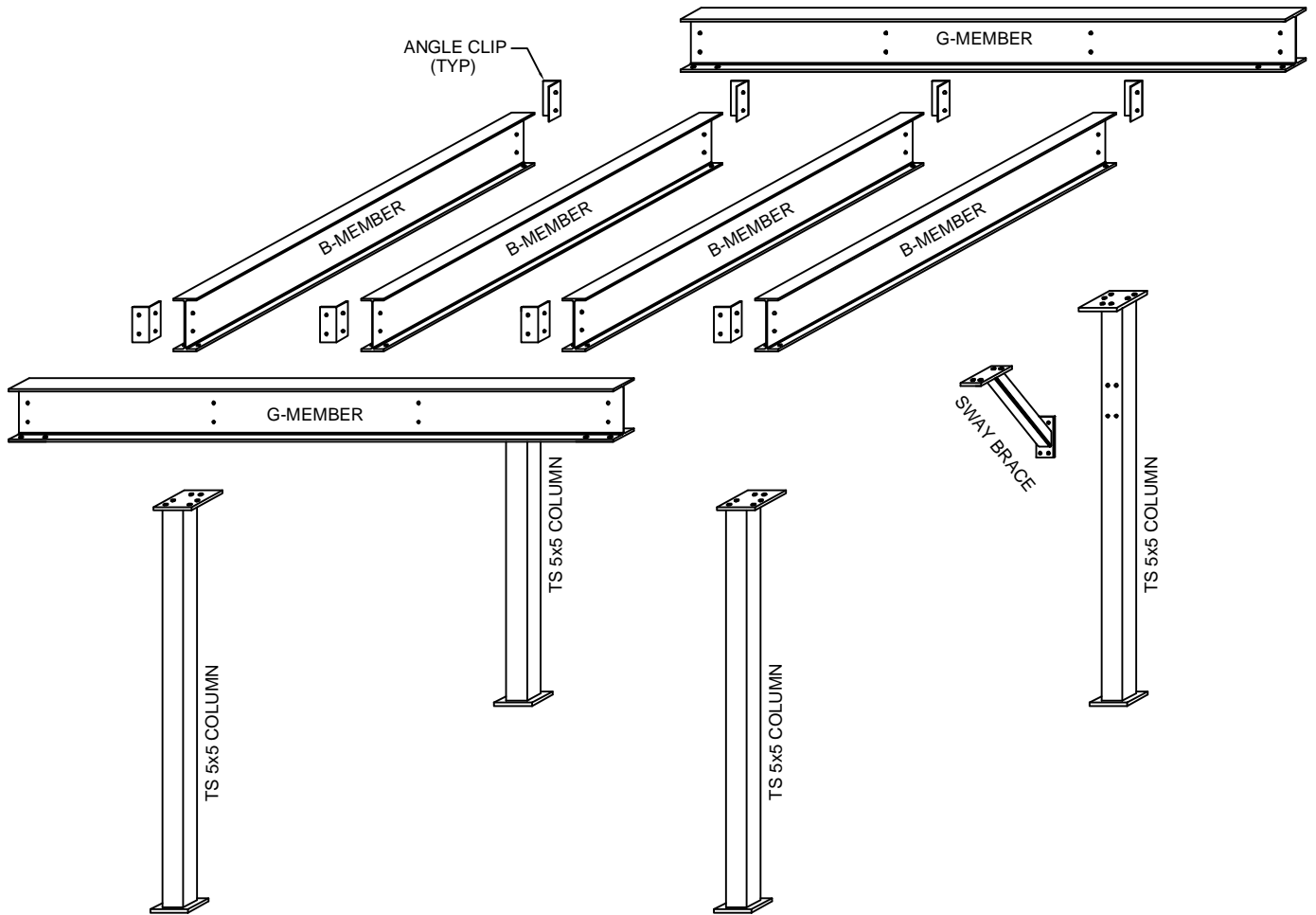
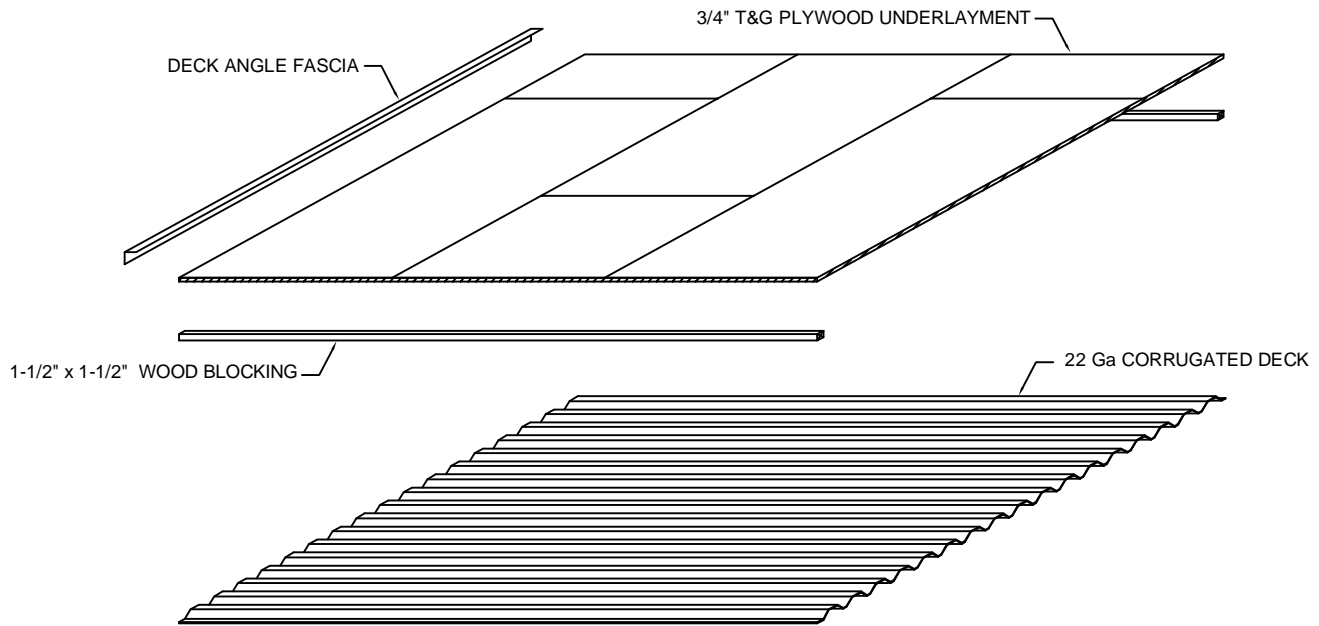
Site Requirements:

Adequacy of the existing structure, including the slab or other floor, to handle the additional applied loads from National Partitions structure is the responsibility of the end user.

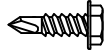
During Installation:

1. Care must be exercised in handling these materials.
2. Securely fasten all material during lifts to prevent slippage or tilting.
3. Securely fasten all parts before proceeding to the next step.
4. Do not make any material or fastener substitutions.

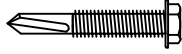




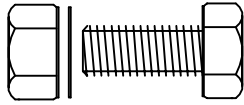
FASTENERS PROVIDED



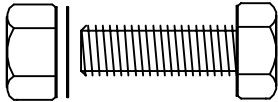
F-PS #10x3/4" Hex Head Tek Screw
(For Fascia and Load Sign)



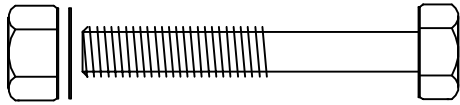
F-TK12 #12-24x1-1/2" Tek Screw
(For Corrugated Deck to Beam)



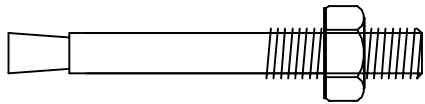
F-58MB 5/8"x1-1/2" Hex Head Bolt (A325)
(With Nut and Washer)



F-58MC 5/8"x2" Hex Head Bolt (A325)
(With Nut and Washer)



F-58ML 5/8"x7" Hex Head Bolt (A325)
(With Nut and Washer)

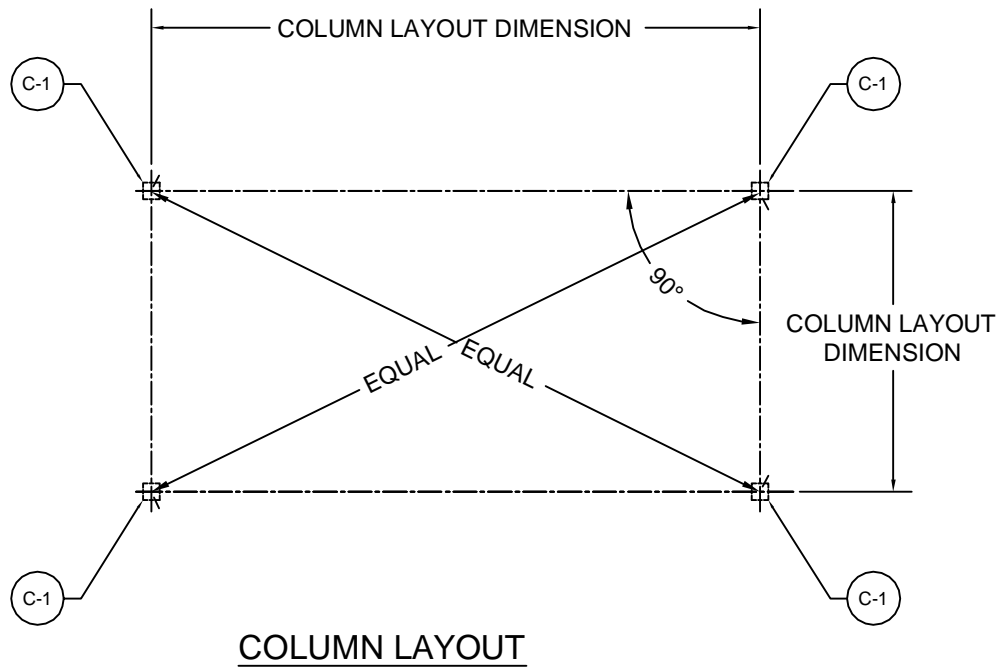


F-58MF 5/8" Hilti TZ Anchors



F-PLY #10-24x1-7/16" Flat Head Wing Tek
(Plywood to Deck)

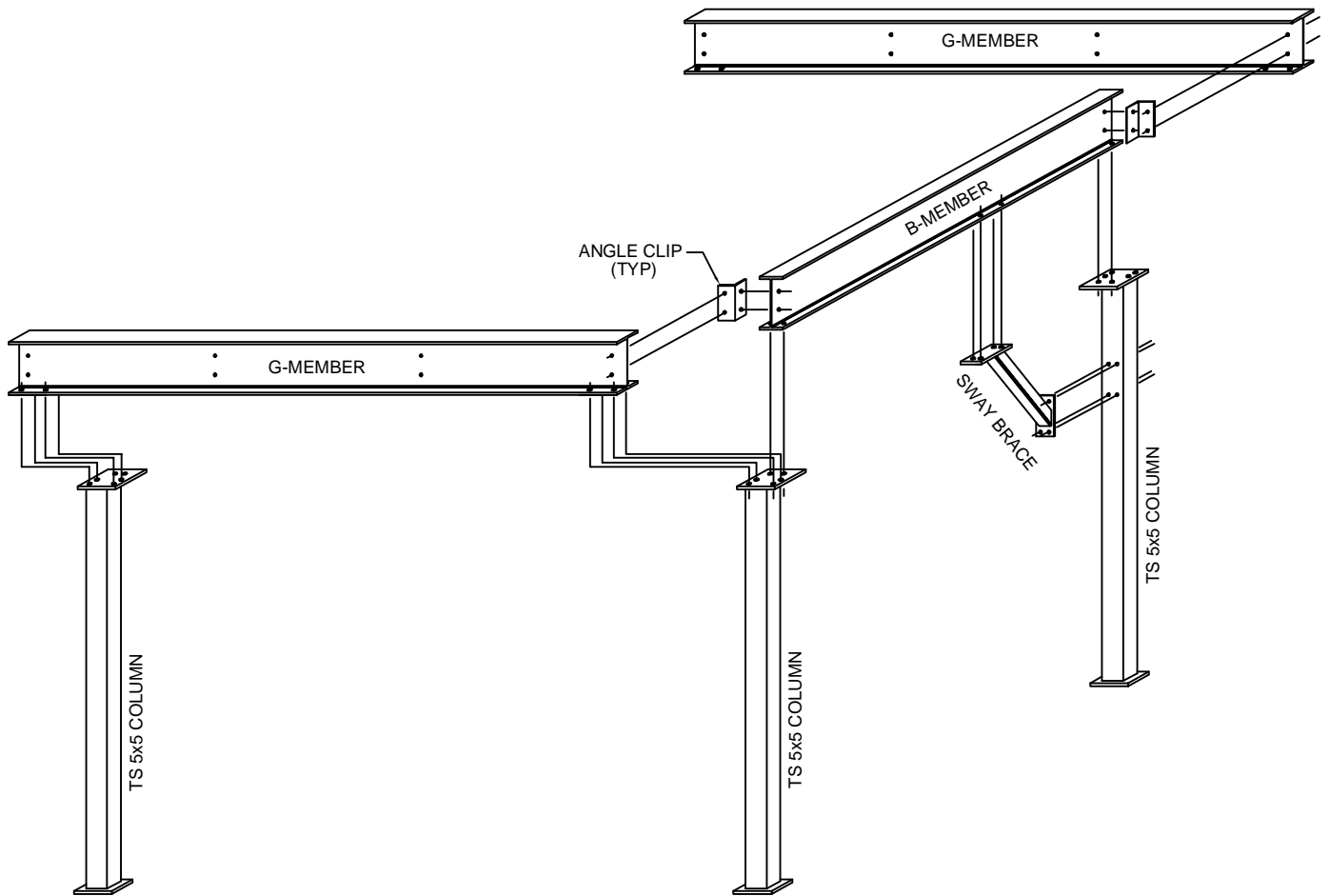




Layout column locations using a chalk line. Refer to drawings provided with your order. Using hammer drill with 5/8" concrete bit, drill holes 4" deep and remove all debris before placing columns and inserting anchors.

Insert anchor in prepared hole so that washer is flush with base plate.
Expand anchor by tightening nut.





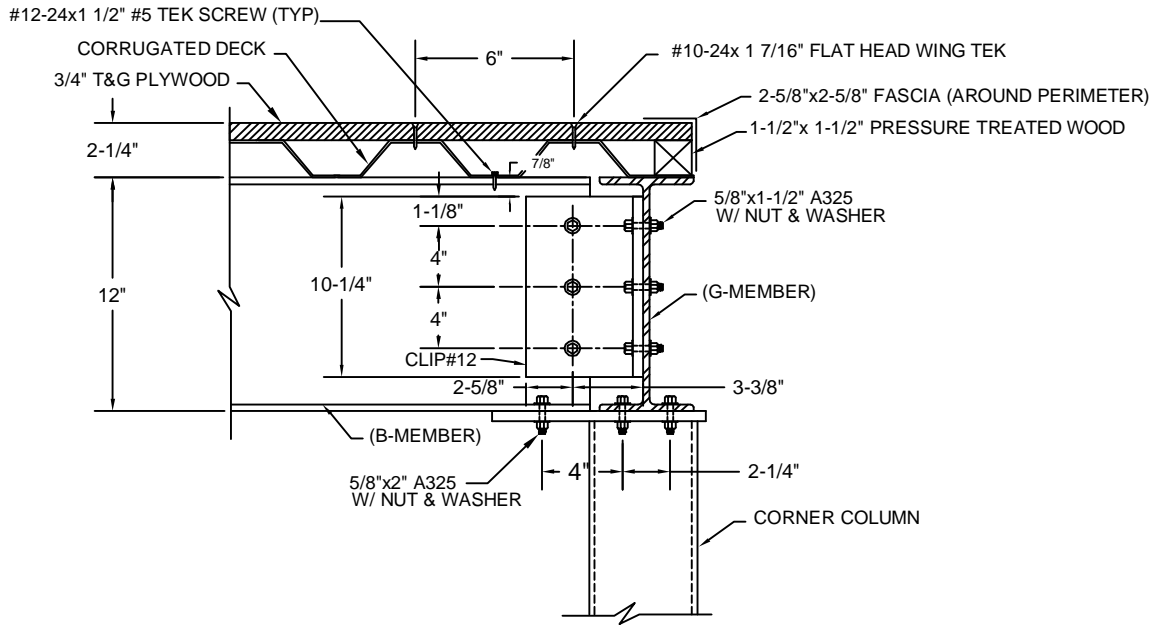
Attach all angle clips to the G-member using 5/8" x 1-1/2" hex head bolts with one washer on the nut side and fully tighten plus $\frac{1}{3}$ turn.

Attach G-members to column using 5/8" x 2" hex head bolts with one washer on the nut side and fully tighten plus $\frac{1}{3}$ Turn.

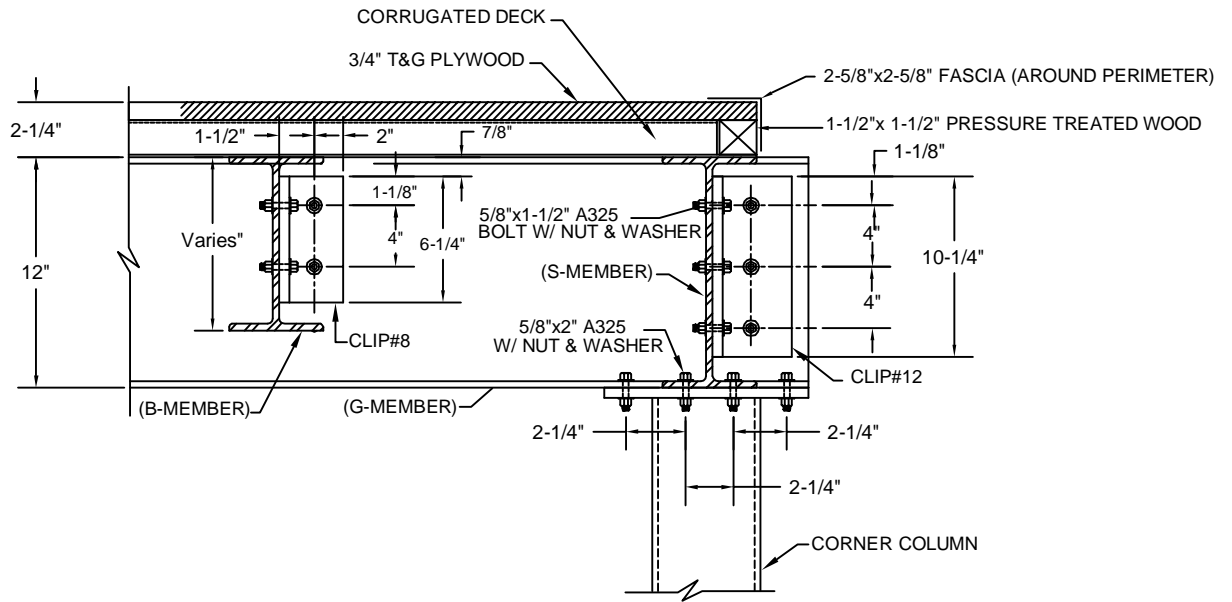
Attach B-member and filler beam to angle clip using 5/8" x 1-1/2" hex head bolts with one washer on the nut side and fully tighten plus $\frac{1}{3}$ turn. Attach B-member to column using 5/8" x 2" hex head bolts with one washer on the nut side and fully tighten plus $\frac{1}{3}$ turn.

Attach Sway Brace to column using 5/8" x 7" hex head bolts with one washer on the nut side and fully tighten plus $\frac{1}{3}$ turn. Attach sway brace to bottom of B-member beam using 5/8" x 2" hex head bolts with one washer on the nut side and fully tighten plus $\frac{1}{3}$ turn.



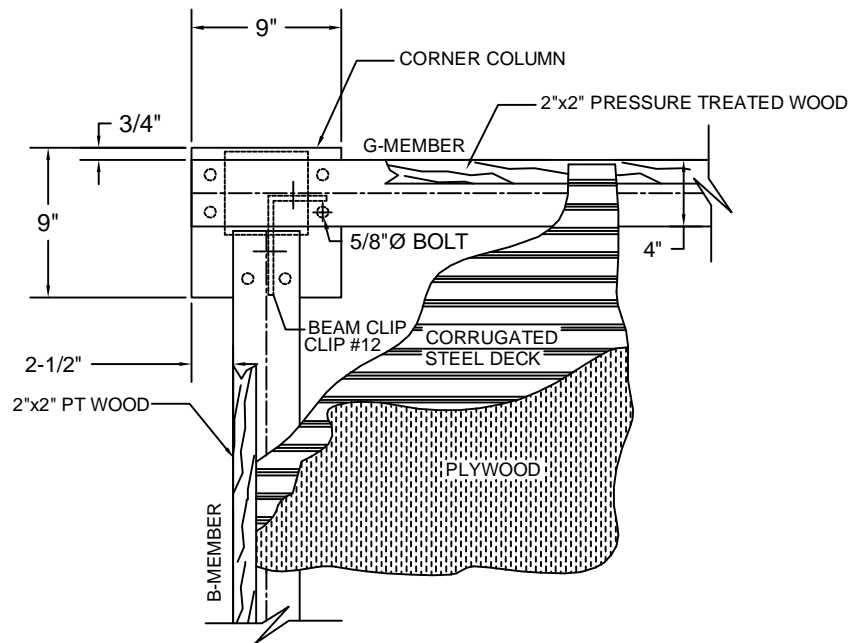


SECTION THRU G-MEMBER



SECTION THRU B-MEMBER





CORNER DETAIL

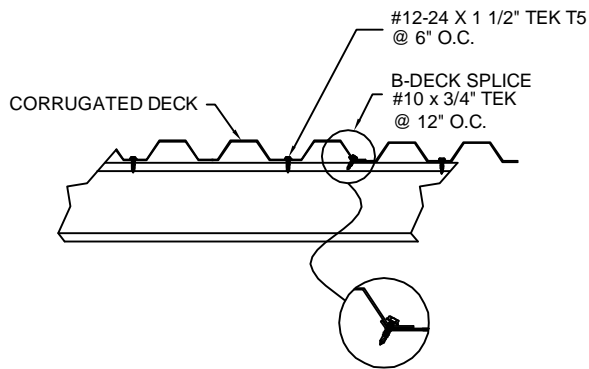
TYPICAL CORNER COLUMN DETAIL (PLAN VIEW)

Once all beams are fully tightened and columns anchored, attach the corrugated deck perpendicular to the beams overlapping only the edges (Do not overlap ribs). Leave 1-1/2" minimum bearing at each end for 1-1/2" x 1-1/2" wood blocking. The wood blocking will also be required at deck edges, but will rest on the corrugated deck. Attach deck to beams with 1-1/2" tek screws every 6". Fasten deck seams with 3/4" tek screw every 12".

Attach plywood perpendicular to the corrugated deck with 1- 7/16" tek screw following diagram on drawings provided (42 screws per sheet).

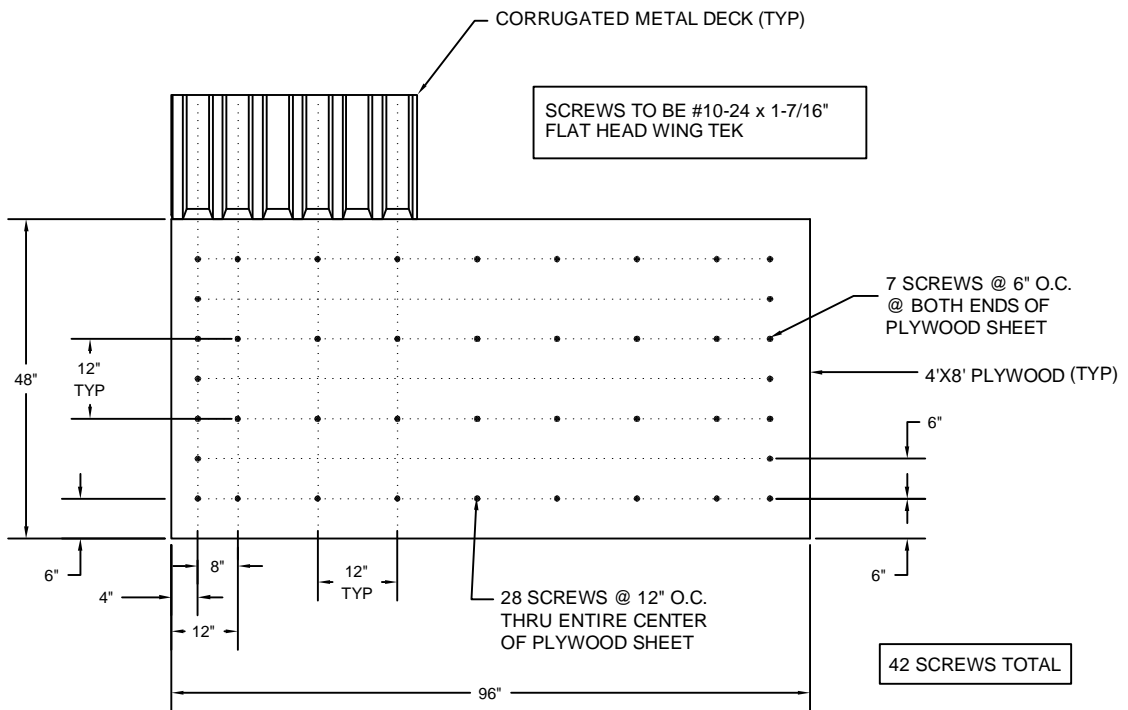
Attach 2-5/8" x 2-5/8" fascia around perimeter to conceal roof deck and plywood edge for a finished appearance. Finally, attach load sign in a clearly visible location.





NOTE:
 * ONLY USE #12 X 1-1/2" TEK T5 @ 6" O.C. WHEN APPLYING TO STEEL BEAMS.

STANDARD DECK ASSEMBLY



TYPICAL PLYWOOD INSTALLATION

PRE DRILL PILOT HOLES FOR COLUMNS WHEN INSTALLING OFFICE ABOVE IF REQUIRED

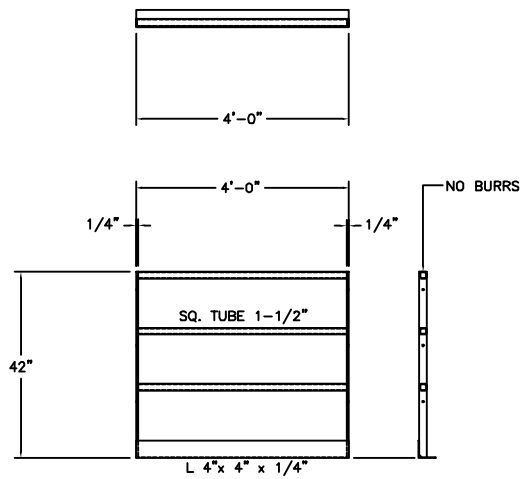


NATIONAL PARTITIONS

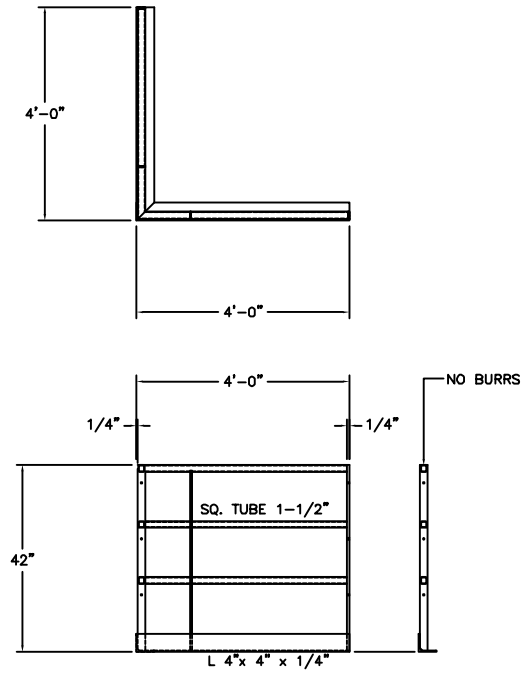
10300 Goldenfern Lane
 Knoxville, Tennessee
 (800) 996-7266

37931

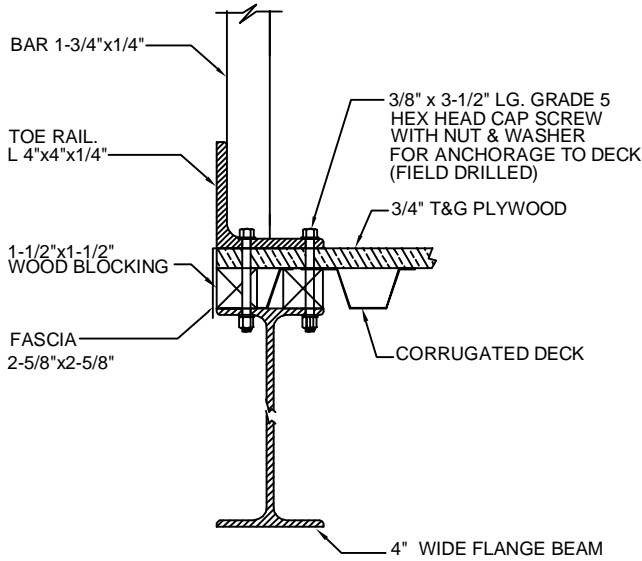
COPYRIGHT © 2014 NATIONAL PARTITIONS. The design and detail drawings for this building and/or overall project are the intellectual property of NATIONAL PARTITIONS. All rights are reserved. Use for reproduction, construction or distribution is prohibited unless authorized in writing by NATIONAL PARTITIONS



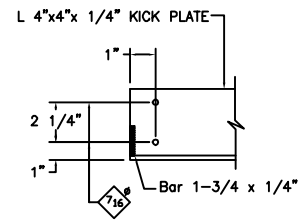
TYPICAL RAIL



TYPICAL CORNER RAIL



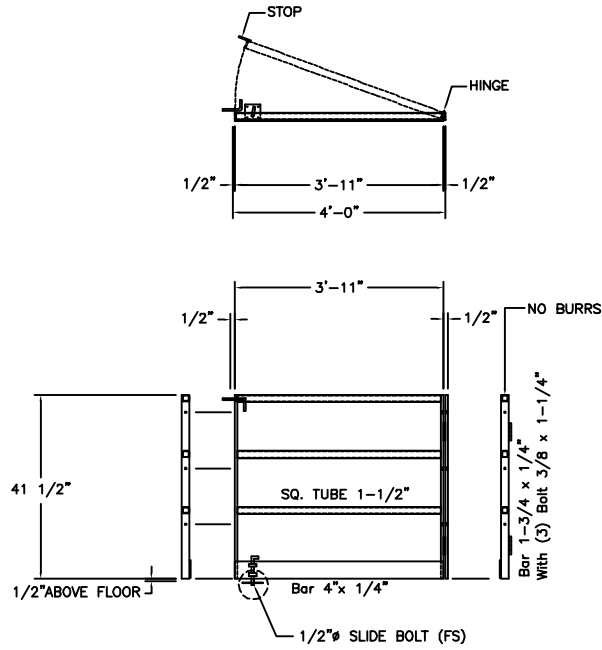
SECTION VIEW



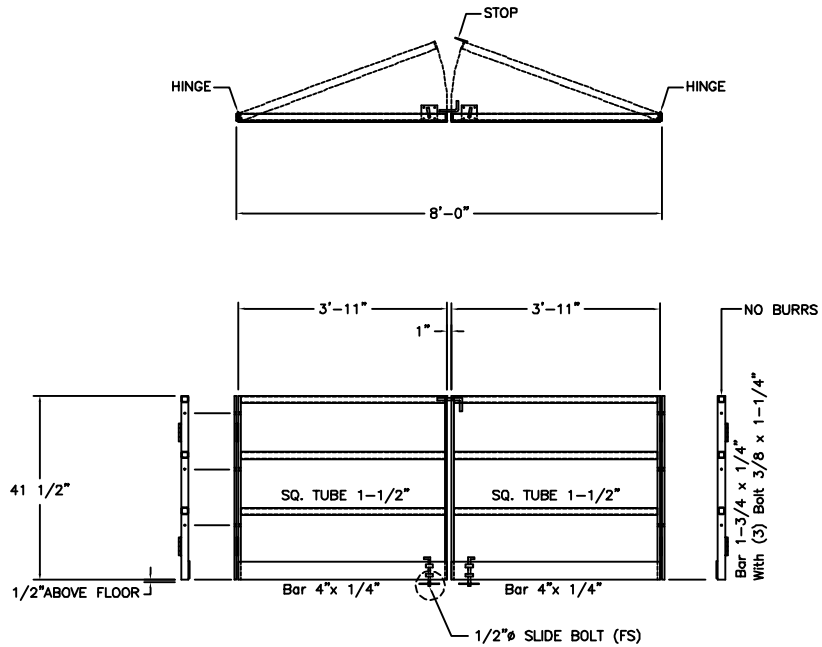
TYPICAL POST CONNECTION
TOP VIEW

NOTE: Never more than 3" between any railing posts per code.





TYPICAL 4' SWING GATE



TYPICAL 8' SWING GATE



LIMITED WARRANTY

Limited Warranty - All products sold, except those manufactured by other companies, shall have the following limited warranty:

Manufacturer warrants that the products furnished by the manufacturer shall be free from defects in workmanship and material for (10) years on interior buildings and (1) year on exterior buildings after delivery to the end user. Written notice on any claim defect must be furnished in writing within (30) days of knowledge of same. Upon satisfactory demonstration of the merits of the claim, manufacturer will, within a reasonable time, make any necessary repair or correction, or at the option of the manufacturer, replace defective article free of charge. Charges for correcting defects will not be allowed, unless manufacturer is first notified in writing and the correction is authorized in writing. Any and all charges to correct an item shall be limited to the amount charged for that item, all amounts in excess of that amount shall not be covered by this warranty or reimbursed by the manufacturer. This warranty will not apply to defects caused by improper installation or to any manufactured products which have been repaired or altered by anyone other than manufacturer, with manufacturers written consent, or which have been subject to misuse, neglect or accident. NO FURTHER WARRANTIES, EXPRESSED OR IMPLIED, INCLUDING BUT NOT LIMITED TO, WARRANTIES OR MERCHANTABILITY OR FITNESS FOR A PARTICULAR PURPOSE NOT SPECIFIED HEREIN, ARE MADE BY THE MANUFACTURER, and this paragraph sets forth the full extent of the liability arising from the manufacturer, use or sale of the products, and materials sold hereunder. No allowances will be made for delays or loss of profit, nor for any special indirect or consequential damages or injuries, whether based on tort or contract.

SERVICE POLICY:

If you have a service issue, please review the above warranty carefully, then contact our Service Department; call: 800-996-7266 or email: service@n-p.com. DO NOT ATTEMPT TO MAKE ANY REPAIRS OR MODIFICATIONS TO OUR PRODUCT WITHOUT WRITTEN AUTHORIZATION. Failure to contact National Partitions first and receive our written authorization could VOID your warranty. Claims made for work performed without our authorization will be denied.

